

# Van Racks

## Universal

- Fits most conventional vans with rain gutters
- 3rd bar option available, increases load capacity by an additional 300 lbs.
  - \* VR103-W - Fits most conventional vans with rain gutters
  - \* VR104-W - Ford model year 1992 and later



**600 lbs.**  
LOAD CAPACITY



Includes convenient pre-drilled uprights



Cargo positioners and vinyl strips help protect cargo in transit



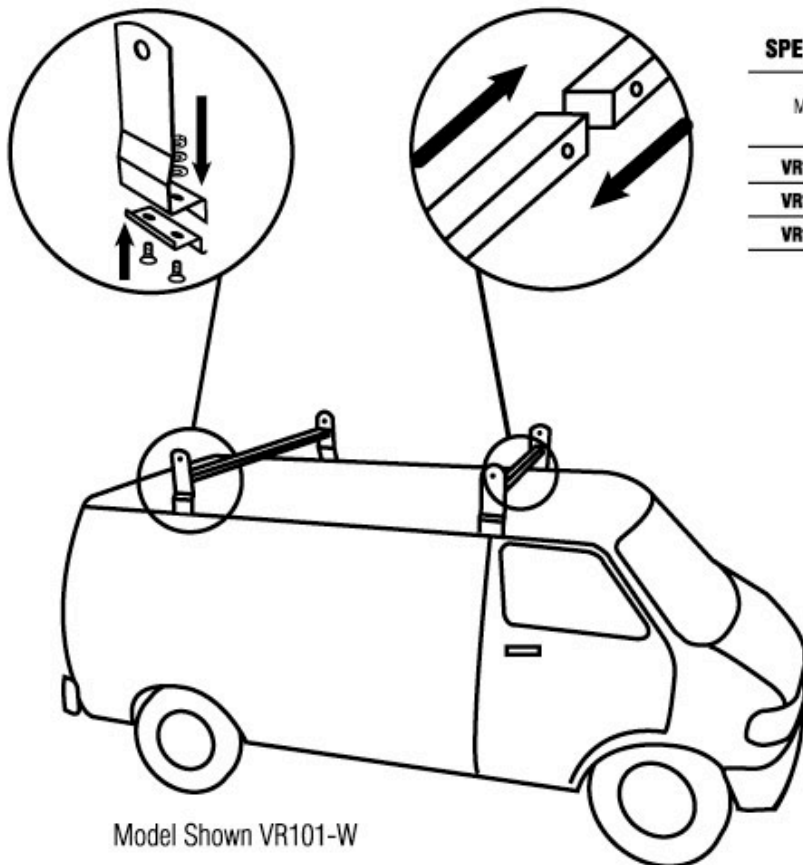
[wernerladder.com](http://wernerladder.com)



# Van Racks

- Fits most conventional vans with rain gutters
- 3rd bar option increases load capacity an additional 300 lbs.
  - \*VR103-W - Fits most conventional vans with rain gutters
  - \*VR104-W - Ford model year 1992 and later
- Installs in less than 1 hour and requires minimal tools
- White powder coated steel
- Corrosion resistant hardware

**600 lbs.**  
LOAD CAPACITY



Model Shown VR101-W

## SPECIFICATIONS

Model No.	Ship Weight	Carton Dimensions		
		Height	Width	Depth
<b>VR101-W</b>	40.0 lbs.	47"	13"	7-1/4"
<b>VR103-W</b>	21.0 lbs.	46"	13"	4-1/2"
<b>VR104-W</b>	21.0 lbs.	46"	13"	4-1/2"