

Truck Racks

Universal



Model TR101-S

*Fits most conventional trucks.
Easily removes when not in use.*

250 lbs.
LOAD CAPACITY



Model TR501-S

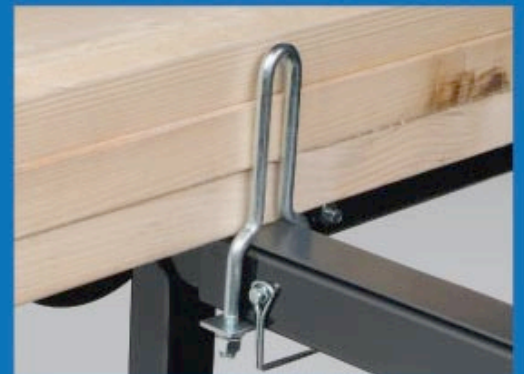
*Cab over design for larger capacity.
Telescoping design fits most trucks with 6' - 8' beds.
(Exception Ford Super Duty Models)*

1000 lbs.
LOAD CAPACITY

- Easy Installation - Installs in less than 1 hour.
- Durable double layer of black powder coated steel.
- Includes silicone sealant for added protection against rust.



Durable corrosion resistant hardware. Includes convenient pre-drilled uprights.



Cargo positioners and vinyl strips help protect cargo in transit.

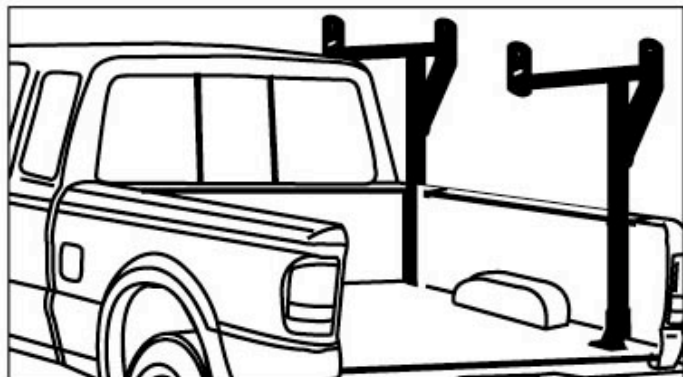


wernerladder.com



Truck Racks

- Installs in less than 1 hour and requires minimal tools
- Black powder coated steel
- Includes silicone sealant for added protection against rust
- Includes pre-drilled uprights
- Corrosion resistant hardware
- Cargo positioners and vinyl strips help protect cargo in transit



Model Shown TR101-S

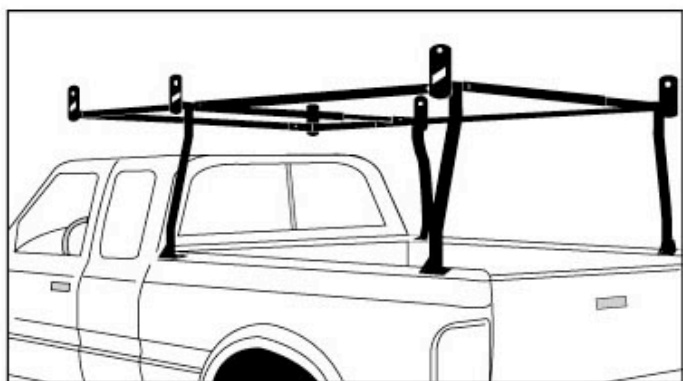
Fits most conventional trucks.

Easily removes when not in use.

250 lbs.
LOAD CAPACITY

SPECIFICATIONS

Model No.	Ship Weight	Carton Dimensions		
		Height	Width	Depth
TR101-S	50.0 lbs.	62-1/4"	26-3/8"	4-1/16"



Model Shown TR501-S

Cab over design for larger capacity.

Telescoping design fits all trucks with 6' - 8' beds.

(Exception Ford Super Duty Models)

1000 lbs.
LOAD CAPACITY

SPECIFICATIONS

Model No.	Ship Weight	Carton Dimensions		
		Height	Width	Depth
TR501-S	125.0 lbs.	77-3/4"	17"	8-1/4"